

1500V POWER CONVERTER SYSTEM

hopePCSHV 2400 ~ 3450



FEATURES



Efficient

- Supports 1.1 times long-term and 1.2 times short-term overloads
- Max. efficiency of 99%
- Smart air cooling, no derating at 45°C ambient temperature



User Friendly

- 7-inch touch screen
- Advanced fault recording and event recording
- Small footprint and lower transportation costs (up to 6 inverters in a ISO container)



Safe and Reliable

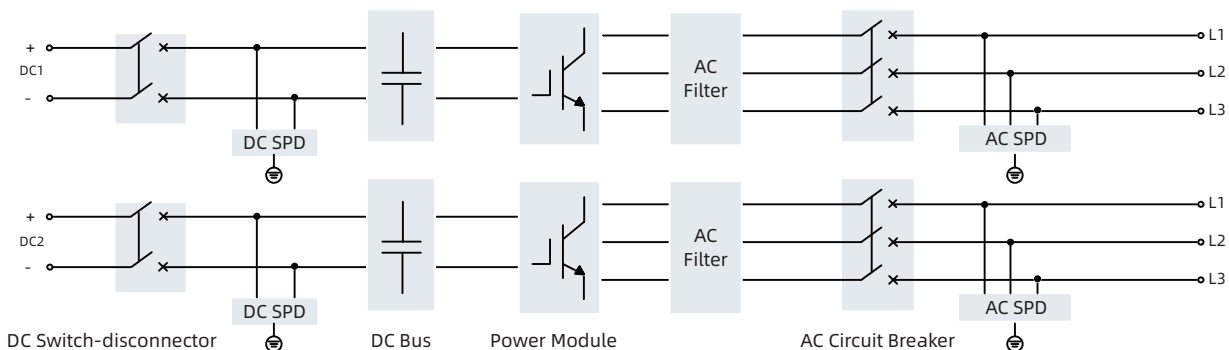
- DC-side short-circuit current breaking capacity of 250 kA
- High protection level, IP65 and C5 optional
- Supports stable operation with an SCR of 1.018 and strong grid adaptability



Flexible

- Wide voltage range for unstable grid
- Four quadrant operation for full reactive power support
- Equipped with operational modes such as VSG, VF, P-Q

TOPOLOGICAL GRAPH



PARAMETERS

Model	hopePCSHV 2400	hopePCSHV 2750	hopePCSHV 3150	hopePCSHV 3450
DC Input				
Voltage Range	696 ~ 1500 V	800 ~ 1500 V	920 ~ 1500 V	1000 ~ 1500 V
Max. DC Continuous Current	3794 A			
AC Output				
Rated Output Power @45 °C	2400 kW	2750 kW	3150 kW	3450 kW
Max. Output Power @25 °C	2880 kW	3300 kW	3780 kW	4140 kW
Isolation Method	Transformerless			
On-grid Parameters				
Rated Grid Voltage	480 V (3P + PE)	550 V (3P + PE)	630 V (3P + PE)	690 V (3P + PE)
Operating Grid Voltage	480 ±10% V	550 ±10% V	630 ±10% V	690 ±10% V
Operating Grid Frequency	50 Hz / 60 Hz			
Grid Frequency Range	47 ~ 53 Hz / 57 ~ 63 Hz			
Power Factor	1leading ~ 1lagging			
THDI	3% (at rated power)			
Charge Discharge Conversion Time	100 ms			
Off-grid Parameters				
Rated Output Voltage	480 V (3P + PE)	550 V (3P + PE)	630 V (3P + PE)	690 V (3P + PE)
THDU	3% (no load or rated resistive load)			
Output Overvoltage Protection Value	Settable			
Output Undervoltage Protection Value	Settable			
Efficiency				
Max. Efficiency	99%			
General Parameters				
Dimensions (W × H × D)	1700 × 2280 × 1000 mm (footprint)			
Weight	2300 kg			
Operating Temperature Range	-40 ~ +55 °C (>45 °C power derating)			
Operating Relative Humidity Range	4% ~ 100%			
Max. Operating Altitude	4000 m (>2000 m derating)			
Noise Emission (dB)	80 dB			
Anti-corrosion	C4 (standard) / C5 (optional)			
Overvoltage Protection	DC Type II / AC Type II			
Ingress Protection	IP65			
Cooling Method	Two-phase thermosyphon cooling			
HMI	Touch screen			
Communication Protocol	Modbus TCP / Modbus RTU / IEC 61850			
Grid Type	IT			
Certifications	TBD			

